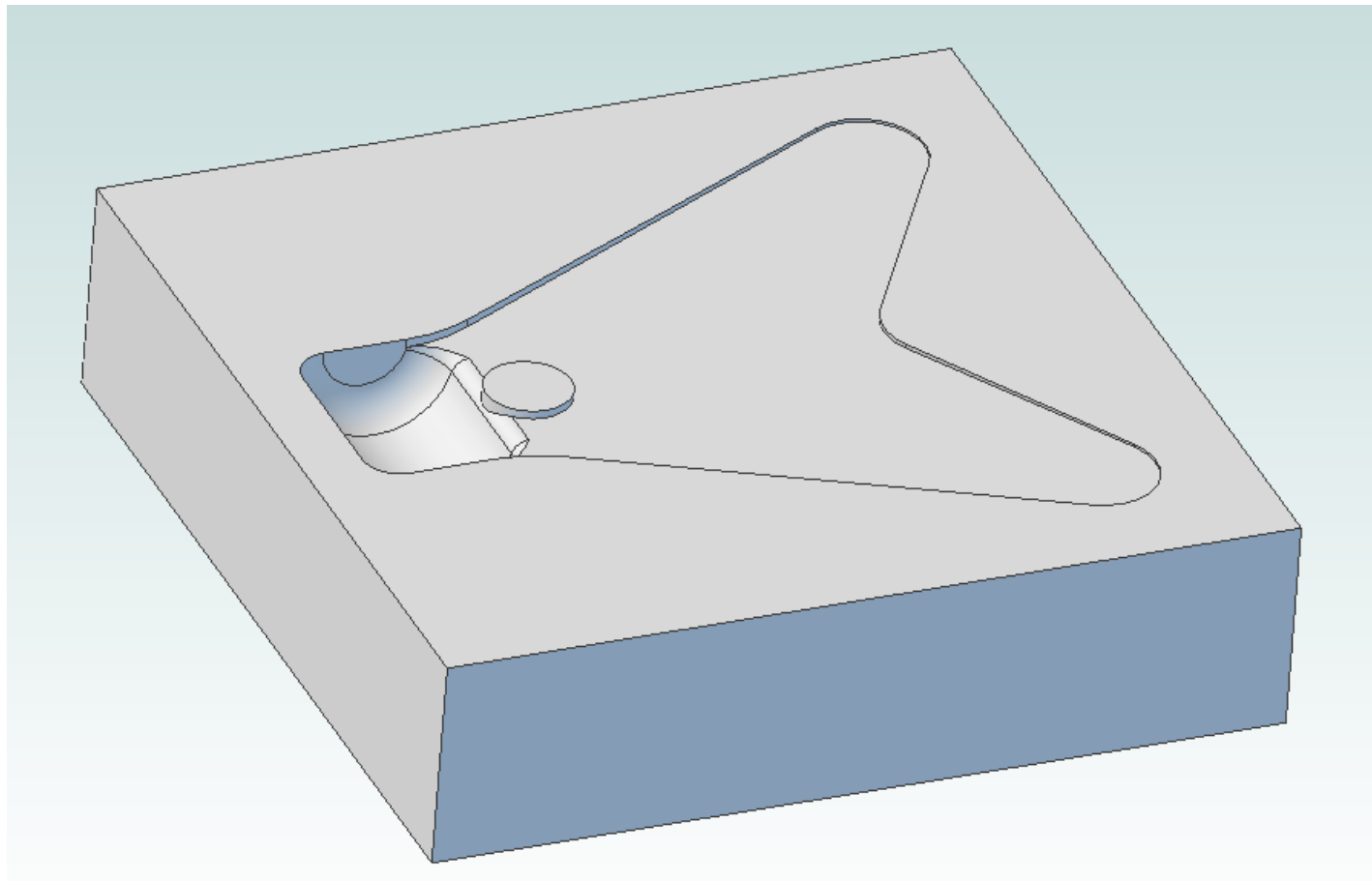


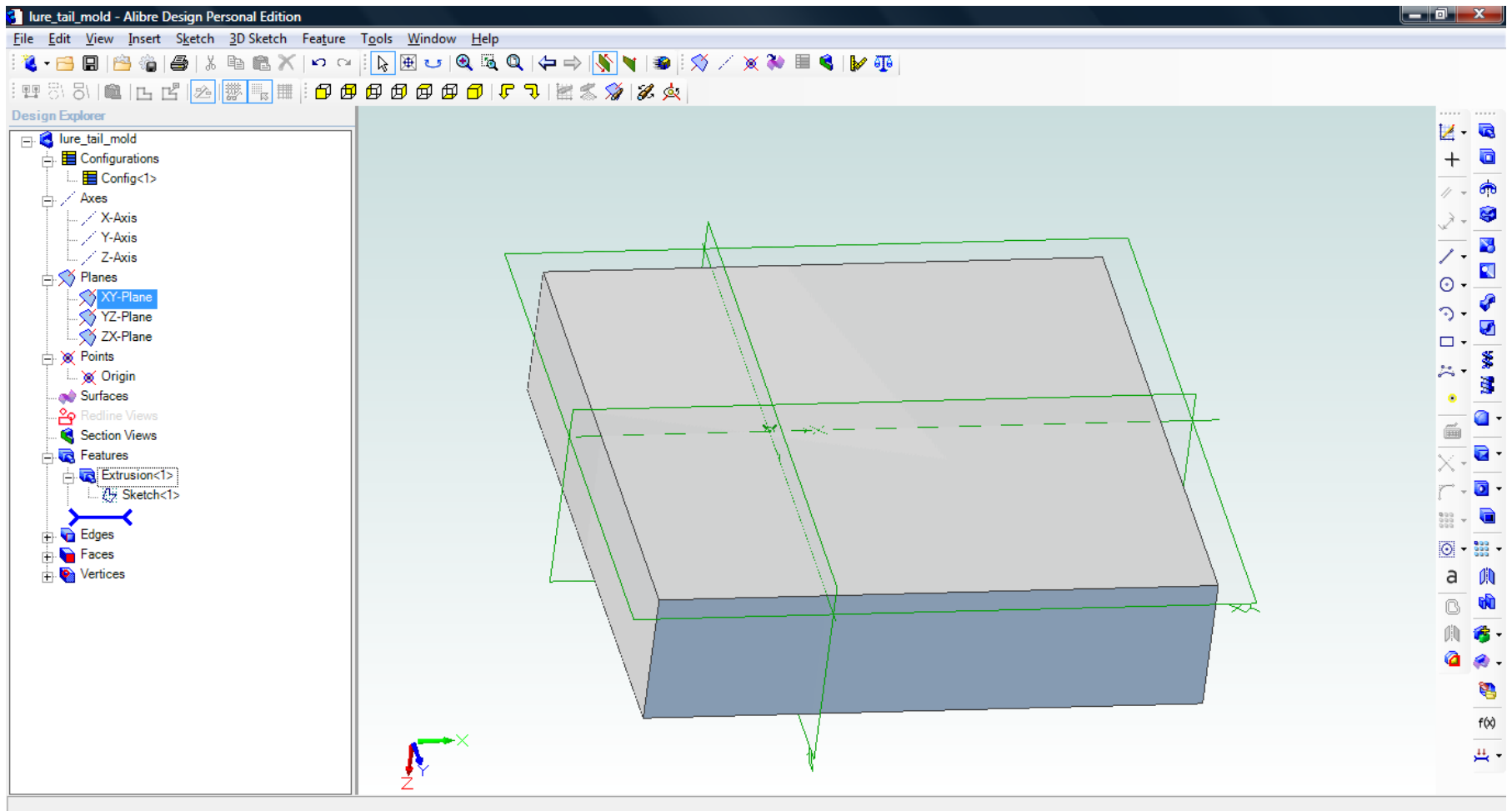
# Making a Mold in Alibre Using a Existing Alibre Model and a Boolean Subtract Operation



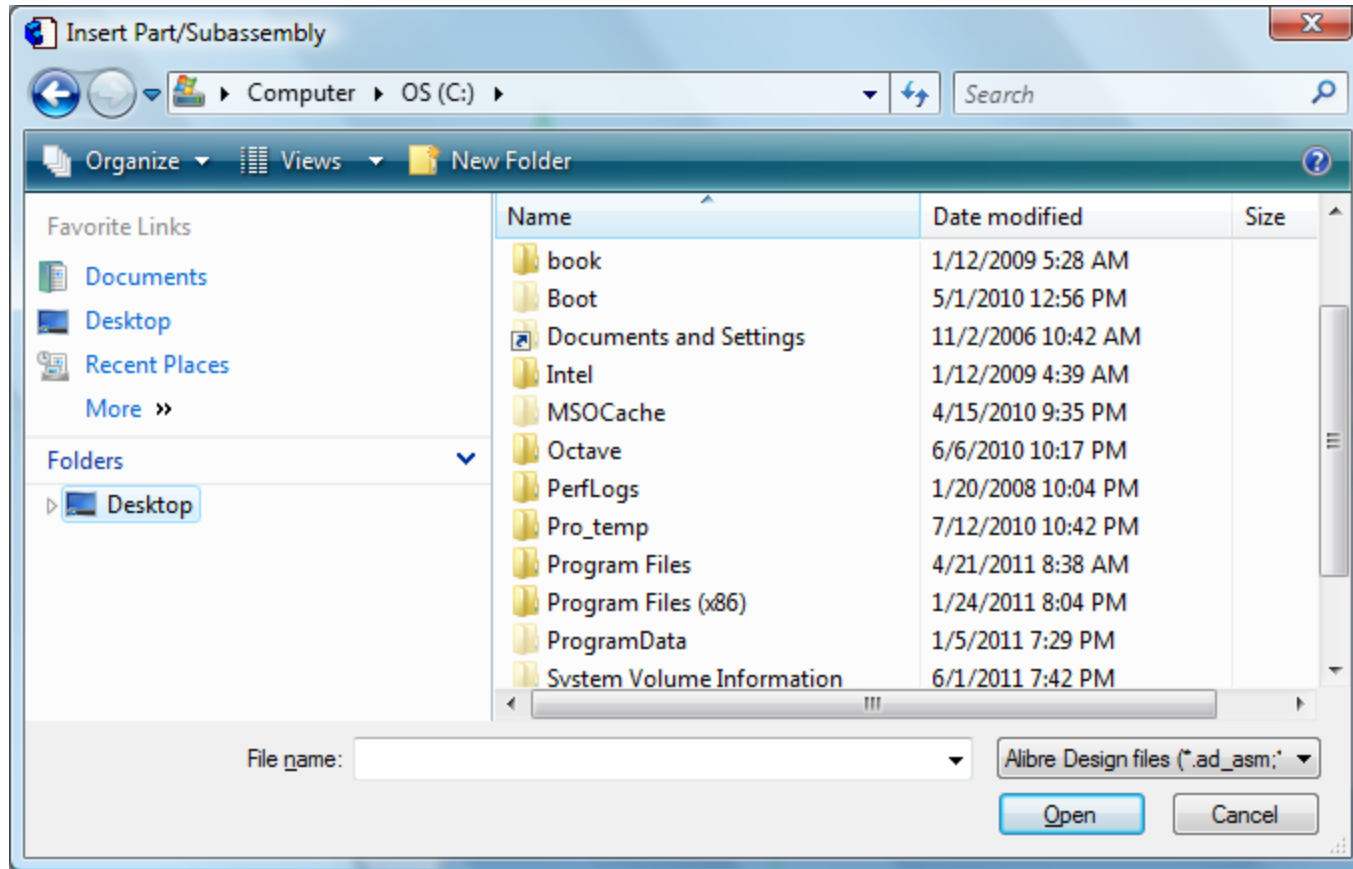
1. Create a generic part (like the block below) the part to be molded will be subtracted from the block.

2. From the toolbar Select

**Feature - Boolean - Subtract** (A dialog box will open to select the Alibre part you want to subtract from the block.)



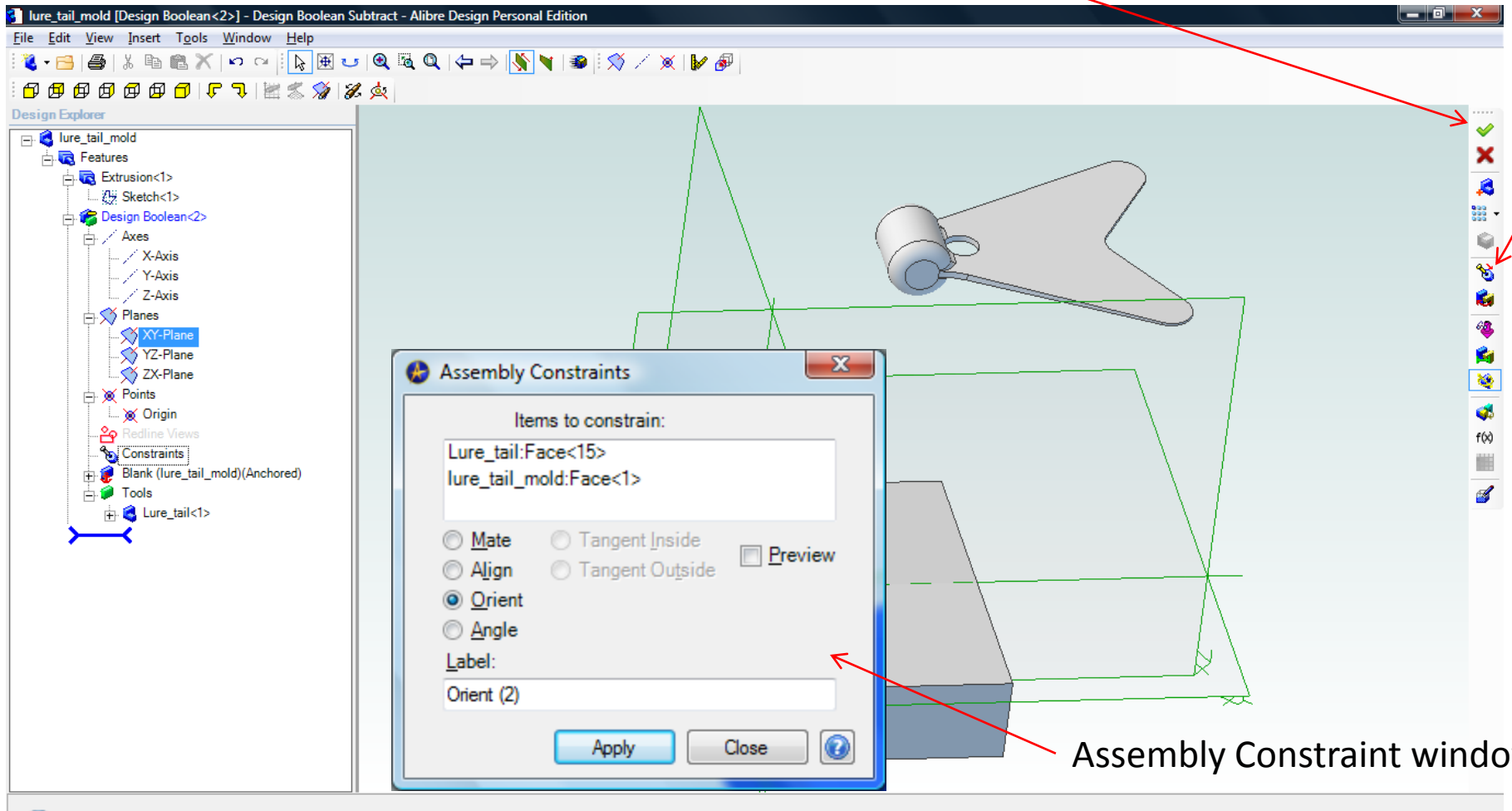
3. Find and open the part you want to subtract from the block and select open. (the part you want to mold)



4. After you select the part it will appear in the Alibre window.

5. Use the Alibre assembly constraints to position the part to be molded as needed.  
(See Alibre documentation for assembly constraint info)

6. When you are done select the green check mark



7. After selecting the green check mark the mold part will be subtracted from the block and there will be a boolean operation feature in the model tree.

